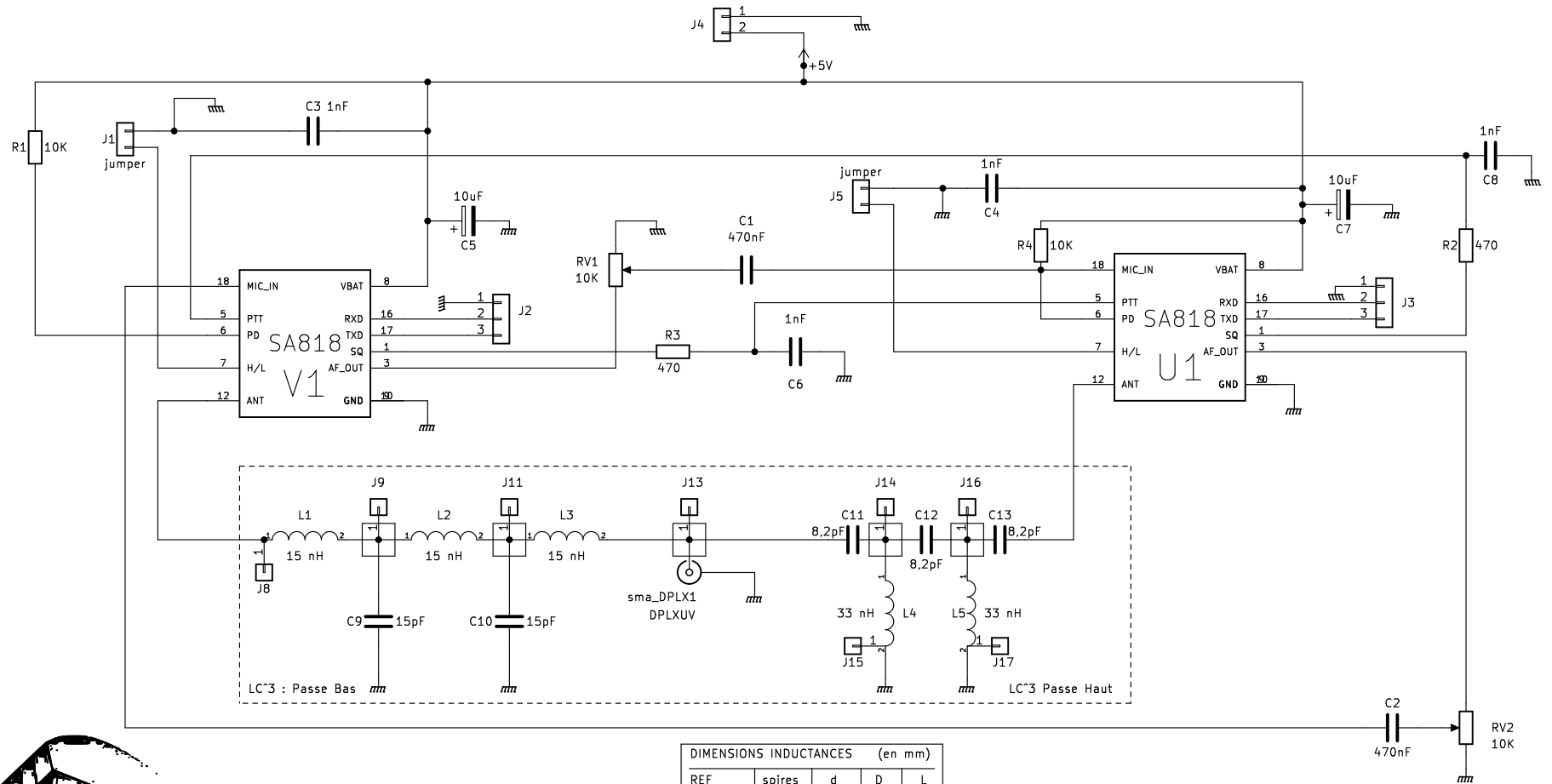
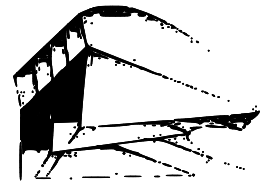


# The PoOlp – Transpondeur v2022



DIMENSIONS INDUCTANCES (en mm)

REF	spires	d	D	L
L1, L2, L3	3	1,0	6,0	70,0
L4, L5	3	0,6	3,0	40,0



*The PoOlp*

07-Jan-2022

inspired by f4gbv/f4eqd 2019 @ThePoOlp\_v2  
**f4gbv / f5nlg**

Sheet: 1/1  
 File: The\_PoOlp.kicad\_sch

**Title: The PoOlp Transpondeur v2022**

Size: A4 Date:  
 KiCad E.D.A. kicad (6.0.10)

Rev: v2022.1  
 Id: 1/1